

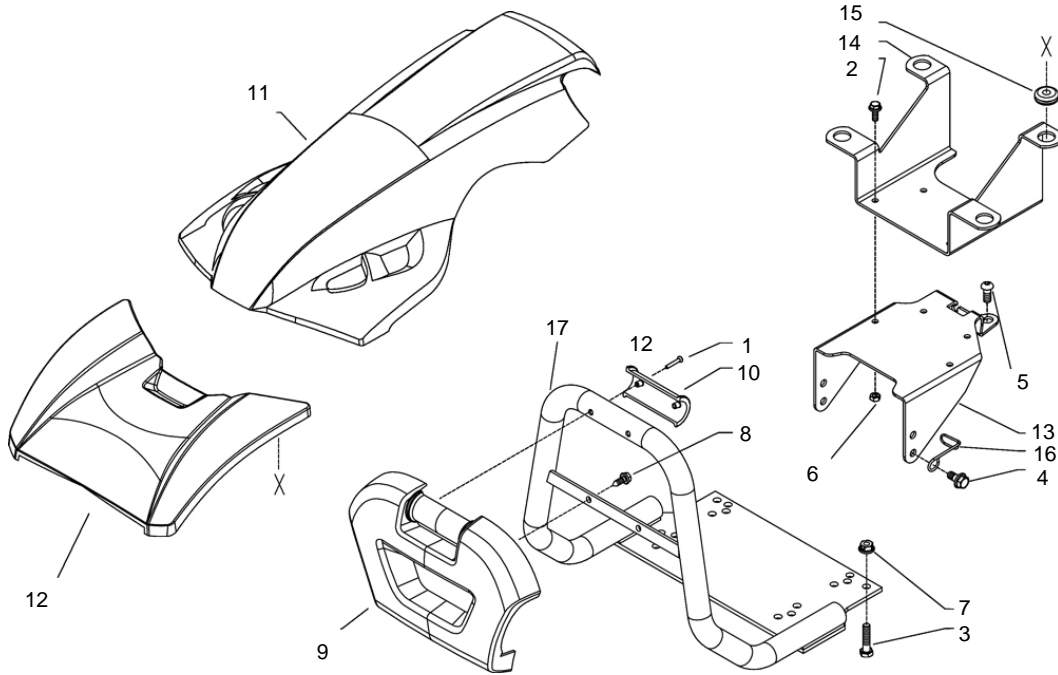


A M E R I C A

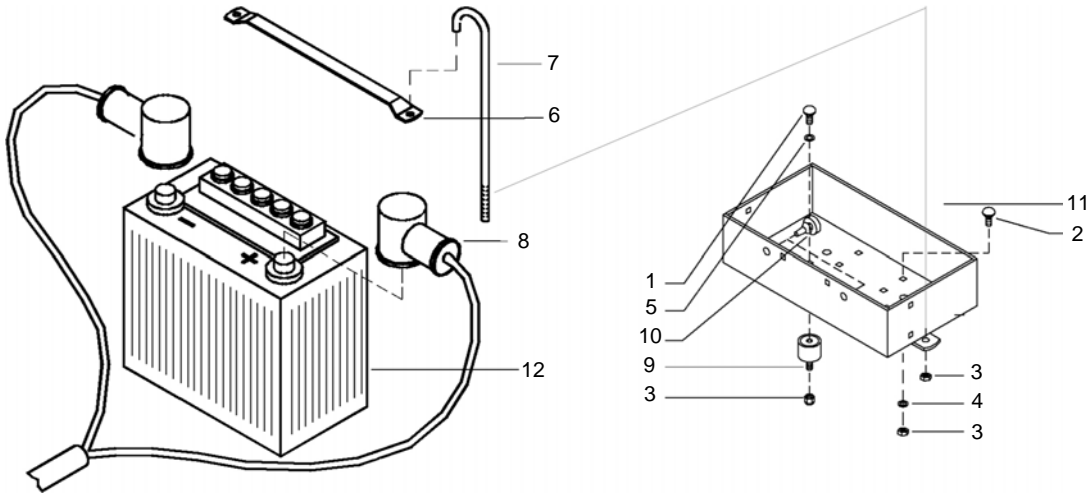
Illustrated Parts:

Model 739

Power Safe

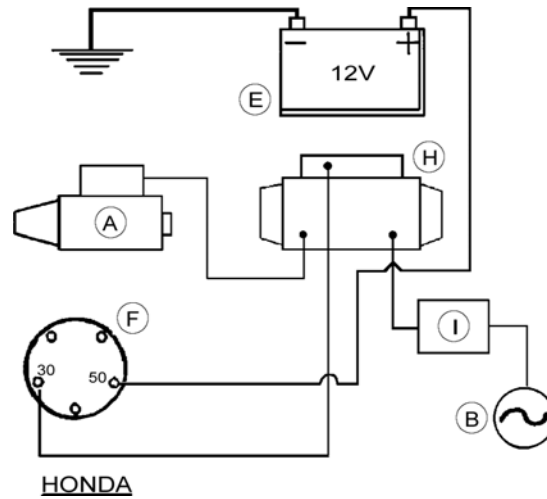


ID	PART NO	DESCRIPTION	ID	PART NO	DESCRIPTION
1	31100451	SCREW, 5X25			
2	31112085	SCREW, HEX M6X16			
3	31112154	CAPSCREW, M8X40			
4	31112171	SCREW, TE M8X16			
5	31121008	SCREW, M10X16			
6	31241060	LOCKNUT, M6 STANDARD			
7	31241084	LOCKNUT, M8 FLANGED			
8	31510100	SCREW, TAPPING M6 3X19			
9	55257521	BUMPER, FRONT			
10	55257522	HALF BEARING			
11	55257620	COVER, HANDLE BAR			
12	55257621	GUARD, LOWER			
13	56156246N	BRACKET			
14	56157399	SUPPORT, GUARD			
15	58056991	SUPPORT, CAP BODY GUARD			
16	58057266	GUIDE, CABLE			
17	59053021R	BUMPER			

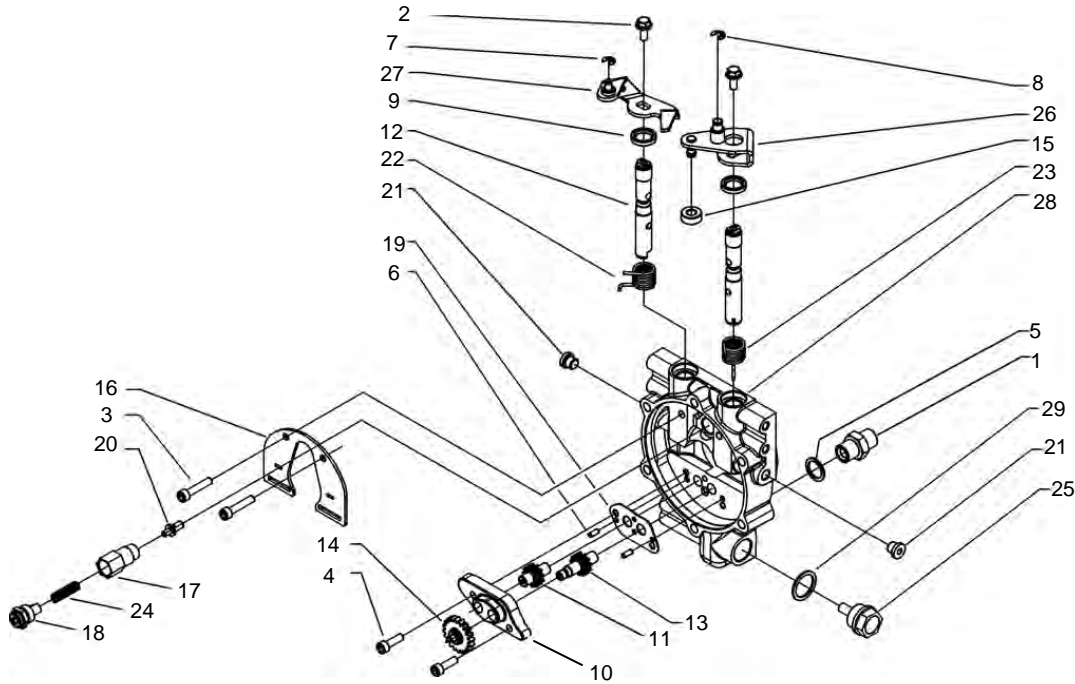


ID	PART NO	DESCRIPTION	ID	PART NO	DESCRIPTION
1	31100201	BOLT W/SQUARE NUT M6X12			
2	31121558	BOLT M6X16			
3	31241060	LOCKNUT M6 STANDARD			
4	31411064	WASHER, FLAT M6 4X12			
5	31411090	WASHER, FLAT M9X24			
6	56119937	BRACKET, BATTERY			
7	56157387	ROD			
8	58047460	CABLE, ELECTRIC STARTER			
9	58135225	RUBBER BUFFER, VIBRATION DAMPING			
10	58157405	RUBBER STOPPER			
11	59057390	BOX, BATTERY			
12	see note	BATTERY, 12V 14:16Ah			

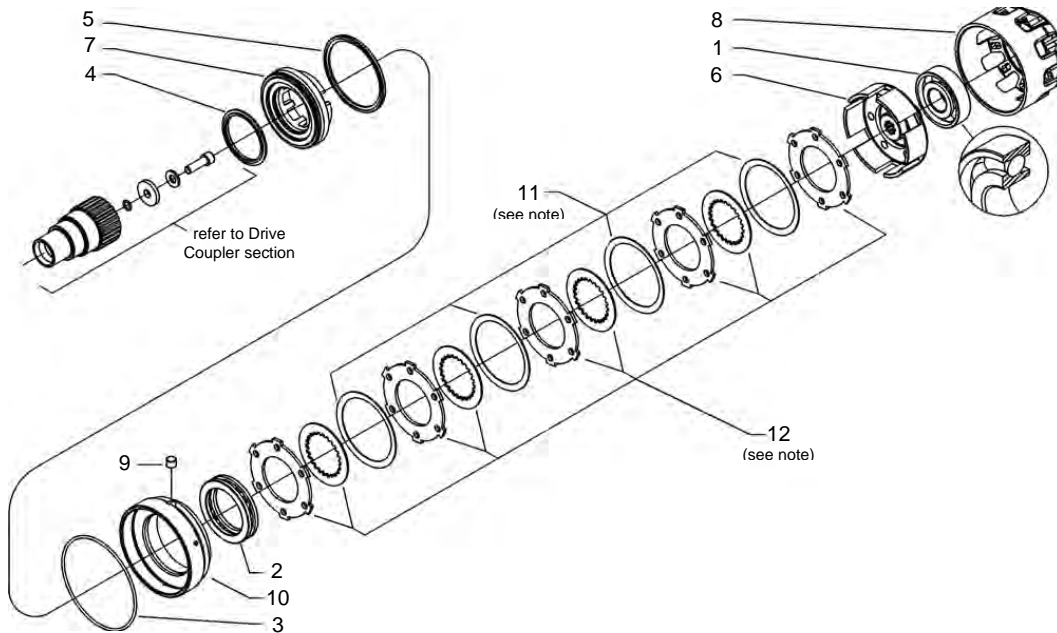
note: battery dimensions approximately 160x90x161mm – source locally



ID	PART NO	DESCRIPTION	ID	PART NO	DESCRIPTION
A		STARTER			
B		GENERATOR			
E		BATTERY			
F		SWITCH			
H		SOLENOID			
I		DIODE			

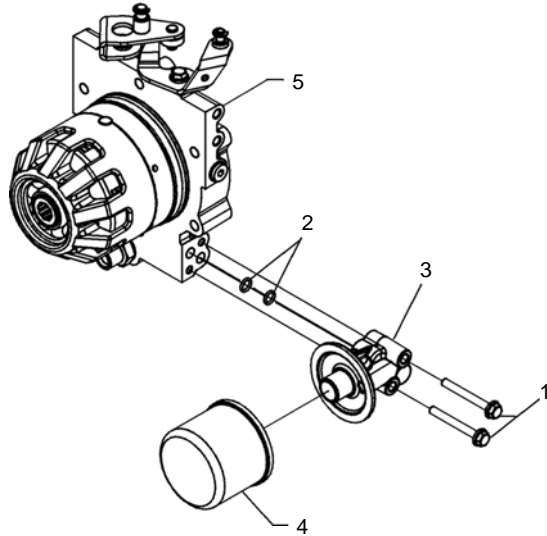


ID	PART NO	DESCRIPTION	ID	PART NO	DESCRIPTION
1	30000197	NIPPLE 3/8 MM	21	58000041	TEST PORT PLUG
2	31112084	CAP SCREW	22	58056221	SPRING
3	31152060	CAPSCREW M6X30 UNI 5931-8G	23	58056222	SPRING
4	31152063	SCREW M6X20 UNI 5931-8G	24	58056683	SPRING
5	31480184	COPPER WASHER 16.7X22X1.5 MM	25	58170021	PLUG, MAGNETIC
6	34221040	CYNDRICAL PLUG	26	59056225Z	CLUTCH LEVER POWERSAFE
7	35211050	SEEGER RING	27	59056298Z	LEVER POWERSAFE CLUTCH
8	35211060	SPLIT RING RS 6 DIN 679	28	59256200	CLUTCH FLANGE POWERSAFE
9	38211400	OIL SEAL M14X22X4	29	F0844273090	GASKET 22X28X1.5 MM
10	51156214	COVER POWERSAFE			
11	52456217	DRIVEN GEAR			
12	52456220	DISTRIBUTOR			
13	52456223	GEAR			
14	52456235	PUMP GEAR			
15	55256228	ROLLER			
16	56156224	SHIELD			
17	56156658	VALVE SEAT			
18	56356242	VALVE PLUG			
19	56356661	COUNTERWEIGHT			
20	56456567	PRESSURE RELIEF VALVE			

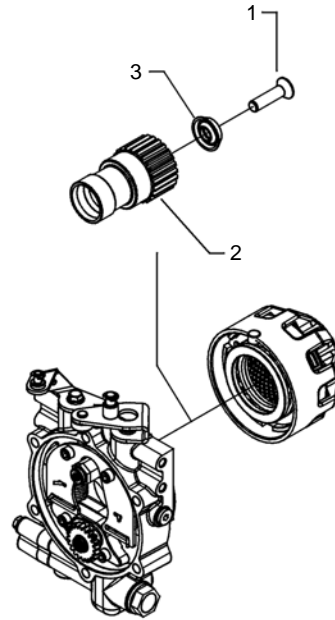


ID	PART NO	DESCRIPTION	ID	PART NO	DESCRIPTION
1	37141253	BEARING			
2	37161500	BEARING			
3	38118859	O-RING			
4	38120500	RING			
5	38140850	RING			
6	52456694	CLUTCH BASKET			
7	53153218	PISTON			
8	53156210	SUMP			
9	56156247	PIN			
10	56356216	RING			
11	56556213	SPRING (see note)			
12	59256693	CLUTCH PLATE KIT (see note)			
note: must replace all 4					

Hydro Filter



Drive Coupler



ID	PART NO	DESCRIPTION	ID	PART NO	DESCRIPTION
HYDRO FILTER			DRIVE COUPLER		
1	31112099	SCREW	1	31100031	BOLT 3/8 - 24 X 1 1/2IN
2	38110873	O-RING	2	52456233	HUB
3	53156209	CONNECTION	3	56556282	WASHER
4	58056208	FILTER			
5	59256037	HYDRAULIC BLOCK			

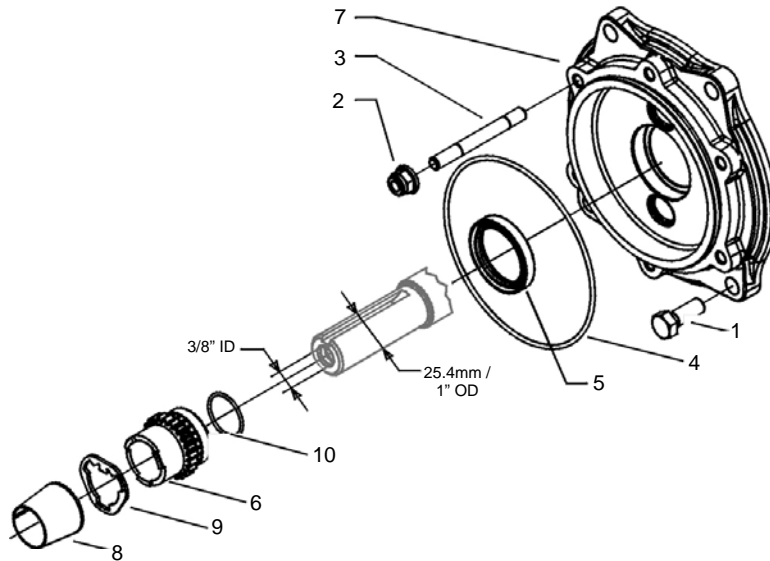
739

Clutch Plate Adapter

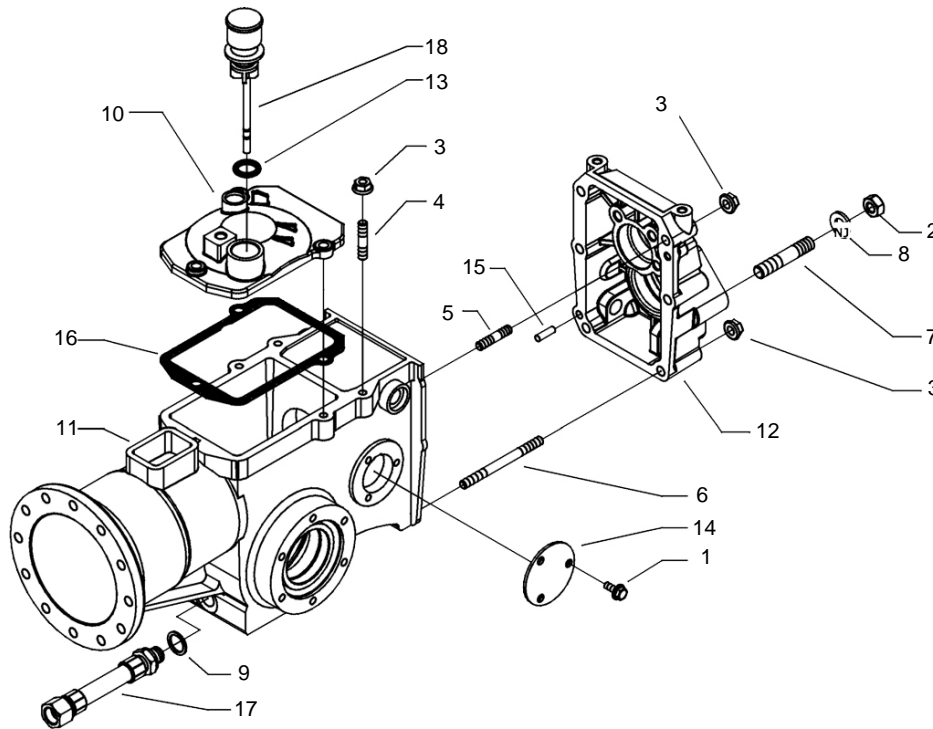
Serial Number Range 918324 - -----

06.00

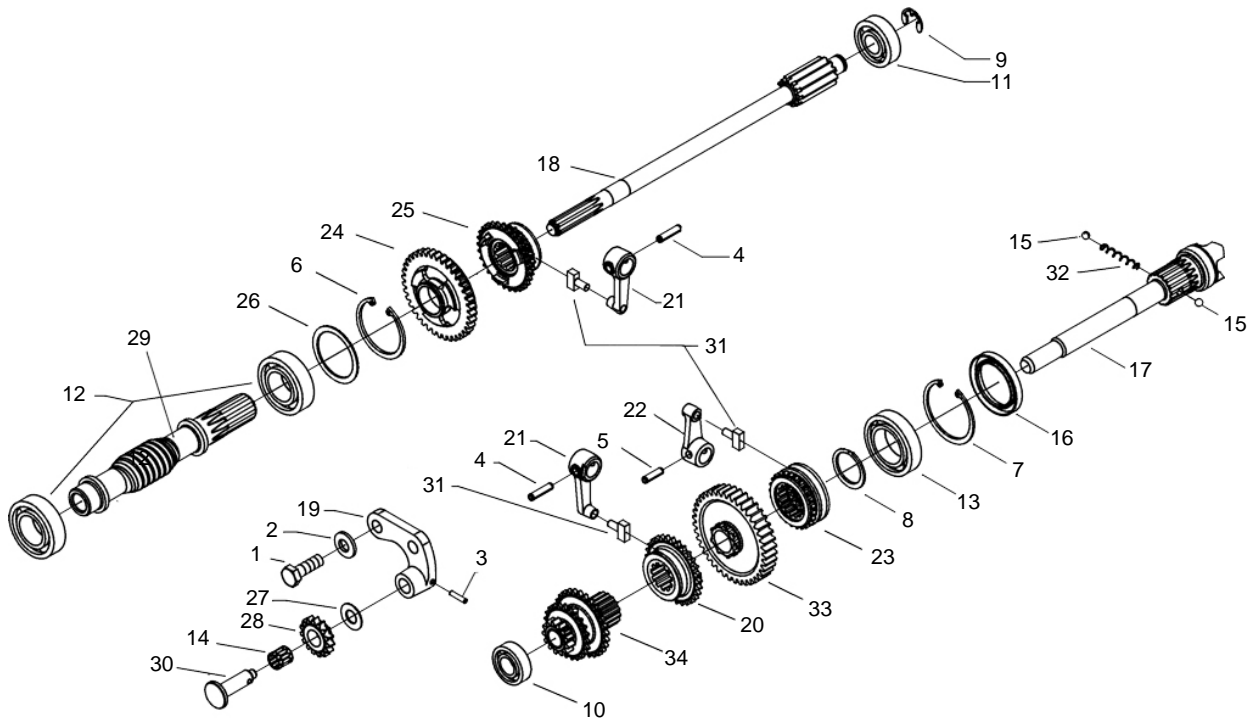
Revised 08/09/2013



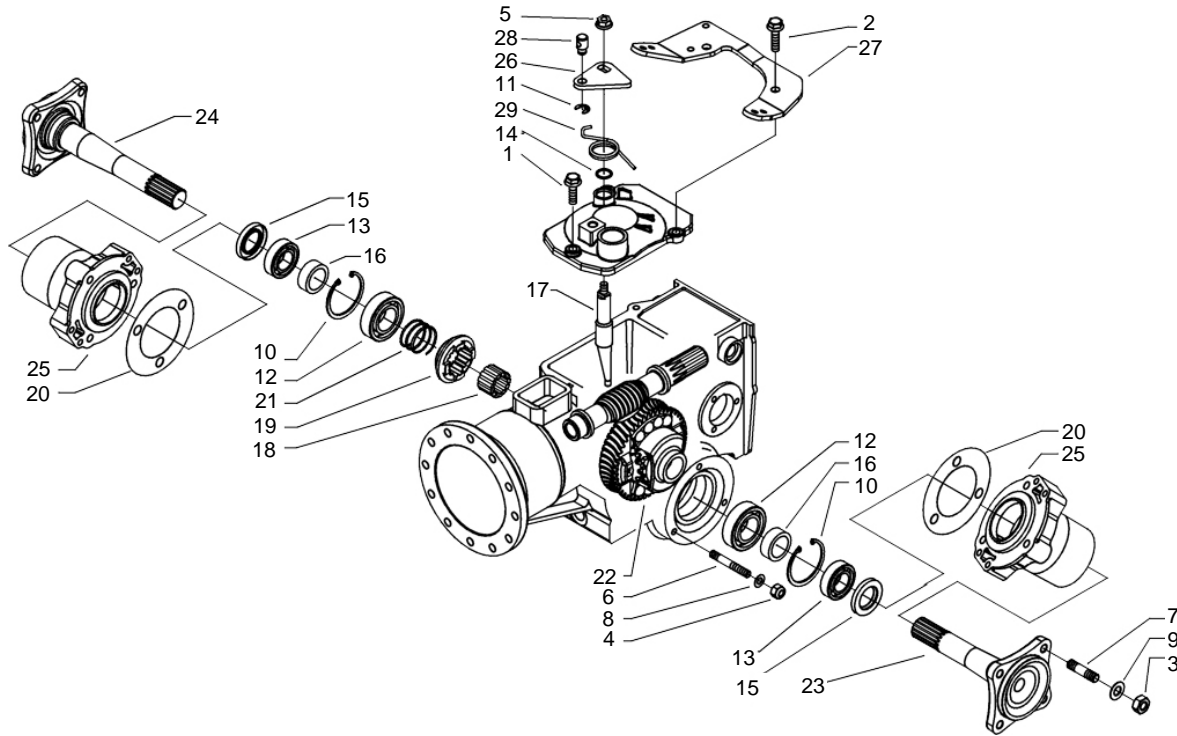
ID	PART NO	DESCRIPTION	ID	PART NO	DESCRIPTION
1	31100015	CAP SCREW 3/8-16X1			
2	31241083	LOCKNUT, M8 SELF-LOCKING			
3	31312073	STUD BOLT, CLUTCH			
4	38119823	O-RING			
5	38213500	OIL SEAL 35X47X7			
6	52456236	PUMP GEAR			
7	53156205	ENGINE FLANGE			
8	56156281	SPACER			
9	56356239	SPACER WASHER			
10	F0803075500	O-Ring 25.12 x 1.78			



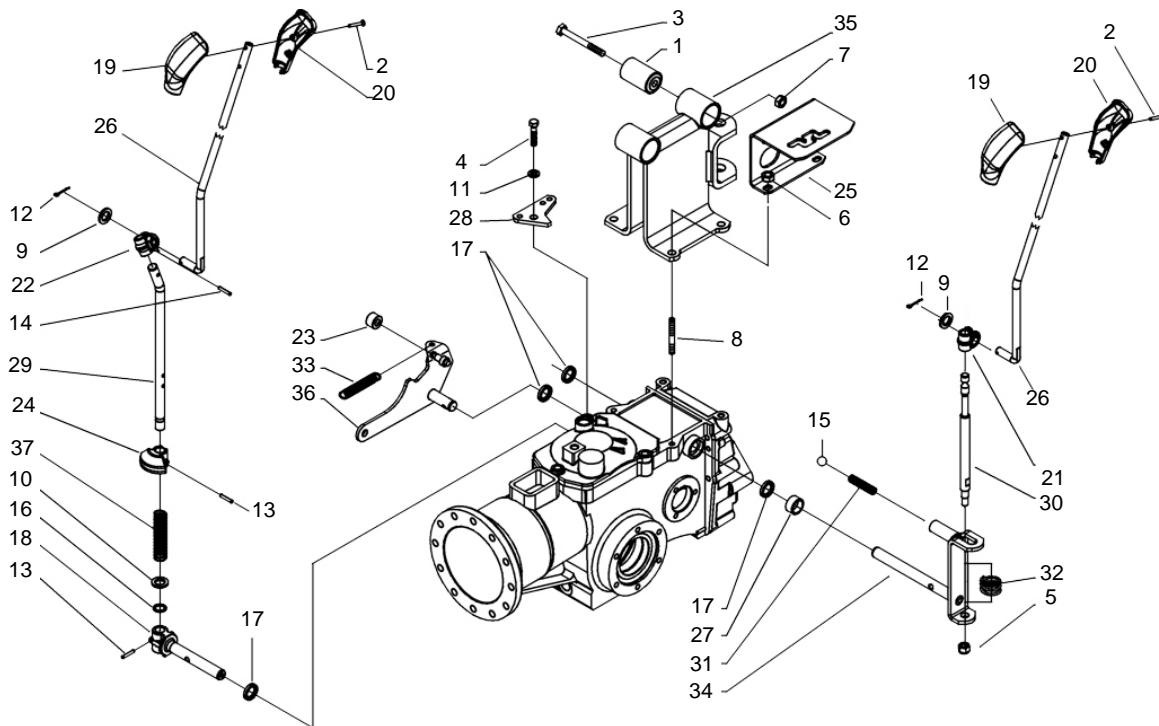
ID	PART NO	DESCRIPTION	ID	PART NO	DESCRIPTION
1	31112083	SCREW			
2	31221121	NUT M12X1.25 UNI 5587-6S			
3	31241084	LOCKNUT M8, FLANGED			
4	31312082	STUD M8X38X14X20 GRADE 8			
5	31312086	STUD M8X56X20X12 GRADE 8			
6	31312094	STUD M8X70X16X16 GRADE 8			
7	31312125	STUD M64X12X1.25X26X12 GRADE 8			
8	31421132	WASHER, TAPERED M13X24X3			
9	31480184	COPPER WASHER 16.7X22X1.5 MM			
10	53143875B	COVER, GEARBOX			
11	53156203B	BOX CASING			
12	53156332B	REAR COVER			
13	55102678	RING, RUBBER			
14	56147520Z	COVER, SIDE			
15	58043053	PIN, CYLINDRICAL D 6X18			
16	58043117	GASKET, COVER			
17	59056248	SCREEN			
18	59056672	DIP STICK			



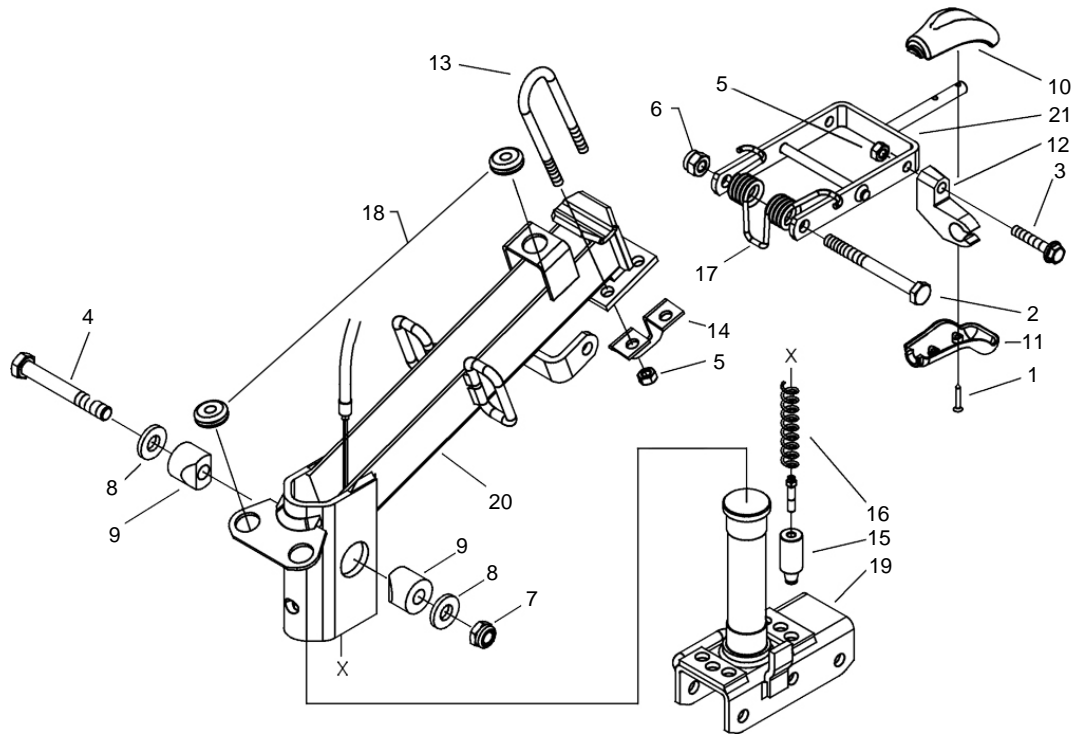
ID	PART NO	DESCRIPTION	ID	PART NO	DESCRIPTION
1	31112211	CAPSCREW M10X30	21	52456389	LEVER REVERSER
2	31421101	WASHER SUPER M10	22	52456390	LEVER PTO ENGAGEMENT
3	34211042	PIN SPLIT	23	52456706	PTO SLIDER
4	34213060	PIN SPLIT SW 6X24 SPIROL	24	52456732	NEED DESCRIPTION
5	34213061	PIN SPLIT SW 6X20 SPIROL	25	52456733	NEED DESCRIPTION
6	35111052	SNAP RING INTERNAL D 52 DIN 742		56356328	SHIM 1.5MM
7	35111055	SNAP RING INTERNAL D 55 DIN 742	26	56356329	SHIM 1.6MM
8	35121031	SNAP RING EXTERNAL D 31 DIN 471		56356330	SHIM 1.7MM
9	35211120	SPLIT RING RS12 DIN 679		56356331	SHIM 1.8MM
10	37111150	BEARING 15X35X11 ZC			
11	37111152	BEARING 15X42X13 6302 SKF	27	56356348	WASHER
12	37111255	BEARING 25X52X15 6205 C3 SKF	28	56456347	GEAR REVERSE
13	37112229	BEARING M30X55X13	29	56456475	GEAR WORM
14	37320120	BEARING 12X15X10 ROLLER CAGE	30	56456736	GEAR PIN
15	37910832	BALL 1/4 RIV RB 6 35	31	58043086	SHOE
16	38213800	OIL SEAL 38X55X7	32	58056391	SPRING SLIDING PTO
17	52456335	SHAFT PTO	33	59056707	PTO GEAR
18	52456339	SHAFT CLUTCH	34	59056730	TRIPPLE GEAR
19	52456349	SUPPORT REVERSE SPEED GEAR			
20	52456370	SLIDER REVERSER			



ID	PART NO	DESCRIPTION	ID	PART NO	DESCRIPTION
1	31112166	SCREW TE M8X25	21	58043874	SPRING
2	31112167	SCREW	22	59048199	DIFFERENTIAL
3	31211100	NUT M10 UNI 5588-6S	23	52448187N	AXLE SHAFT
4	31241080	LOCKNUT M8 STANDARD DIN985ZC	24	52448188N	AXLE LONG HALF
5	31241084	LOCKNUT M8 FLANGED	25	53243851N	HUB FOR HALF AXLE
6	31312080	STUD M8X46X20X12 GRADE 8	26	56156219Z	LEVER
7	31312102	STUD M10X40X24X12 GRADE 8	27	56156827N	STOP
8	31423084	WASHER LOCK B 8.4 DIN 137A ZINC	28	56156828Z	STOP
9	31423105	WASHER WAVEY B 10.5 DIN 1	29	58043881N	SPRING
10	35111047	SNAP RING INTERNAL D 47 DIN 472			
11	35211060	SPLIT RING RS 6 DIN 679			
12	37111250	BEARING 25X15X15 6205			
13	37111253	BEARING 25X47X12 6005 ZC			
14	38111400	O RING 2056 14.00X1.78			
15	38213002	OIL SEAL 30X40X7			
16	56148184	RING HALF AXLE			
17	56443871	ROD			
18	56448183	SPACER GEAR FOR DIFFERENTIAL			
19	56448196	COUPLING FRONT			
20	58043855	GASKET JOINT			



ID	PART NO	DESCRIPTION	ID	PART NO	DESCRIPTION
1	30010142	SILENTBLOCK 10 2X30X45X4	21	55242528	JOINT D 10, PLASTIC
2	31100451	SCREW 5X25 UNI 10228	22	55248379	ARTICULATION, PTO
3	31111217	CAPSCREW M10X75 UNI 5737-8G	23	55257313	PINS, PTO LOCKOUT
4	31112152	CAPSCREW M8X30 UNI 5739-8G	24	55257321	ARTICULATOR, PTO
5	31241080	LOCKNUT M8	25	56156734H	SELECTOR, GEAR
6	31241084	LOCKNUT M8, FLANGED	26	56156792N	PULL ROD 722
7	31241100	LOCKNUT M10, STANDARD	27	56157257Z	SPACER, LEVER
8	31312082	STUD M8X38X14X20 GRADE 8	28	56157274	BRACKET ,REVERSE
9	31411104	WASHER, FLAT M10.5X18 UNI 6592	29	56157324N	SHIFT ARM, PTO
10	31414130	WASHER, FLAT M13 UNI 1749	30	56356738Z	COMMAND LEVER
11	31423084	WASHER, LOCK B 8.4 DIN 137A ZINC	31	58043176	SPRING
12	34110028	PIN, COTTER A 2X15 UNI 1336	32	58057232Z	SPRING, GEAR STICK
13	34213020	PIN, SPLIT 4X20 SPIROL UNI 6876	33	58057273	SPRING
14	34213024	PIN, SPLIT SW 4X24 SPIROL UNI 6876	34	59056735N	GEAR LEVER
15	37911532	BALL 15/32	35	59056920	HANDLE BAR SUPPORT
16	38111191	O RING 115 11.91X2.62	36	59057319	LEVER, PTO LOCKOUT
17	38211400	OIL SEAL M14X22X4	37	F0831193010	SPRING DM 15X70
18	52357250	SHAFT, PTO			
19	55157212	UPPER HDLE.REL.KNOB BLACK			
20	55157213	LOWER HDLE.REL. KNOB			



ID	PART NO	DESCRIPTION	ID	PART NO	DESCRIPTION
1	31100451	SCREW 3.5X25			
2	31111229	CAPSCREW M10X110 UNI 5737-8G			
3	31112165	SCREW			
4	31112293	CAPSCREW M12X80 UNI 5737-8G			
5	31241080	LOCKNUT M8 STANDARD DIN985ZC			
6	31241100	LOCKNUT M10 STANDARD DIN 985ZC			
7	31241126	LOCK NUT M12 DEFORMED			
8	31421100Z	SPRING WASHER			
9	52156917	WEDGE			
10	55157212	UPPER HDLE.REL.KNOB BLACK			
11	55157213	LOWER HDLE.REL. KNOB BLACK			
12	55243340	SUPPORT, CONTROL ROD			
13	56156940	U BOLT			
14	56156948N	BRACKET			
15	56356924	PIN			
16	58056918	SPRING, STEERING COLUMN			
17	58056942N	SPRING, RELEASE HDLE BAR			
18	58056991	SUPPORT CAP, BODY GUARD			
19	59056793N	CONNECTION			
20	59056820N	COLUMN			
21	59057010N	LEVER, HANDLE BAR SELECTION			

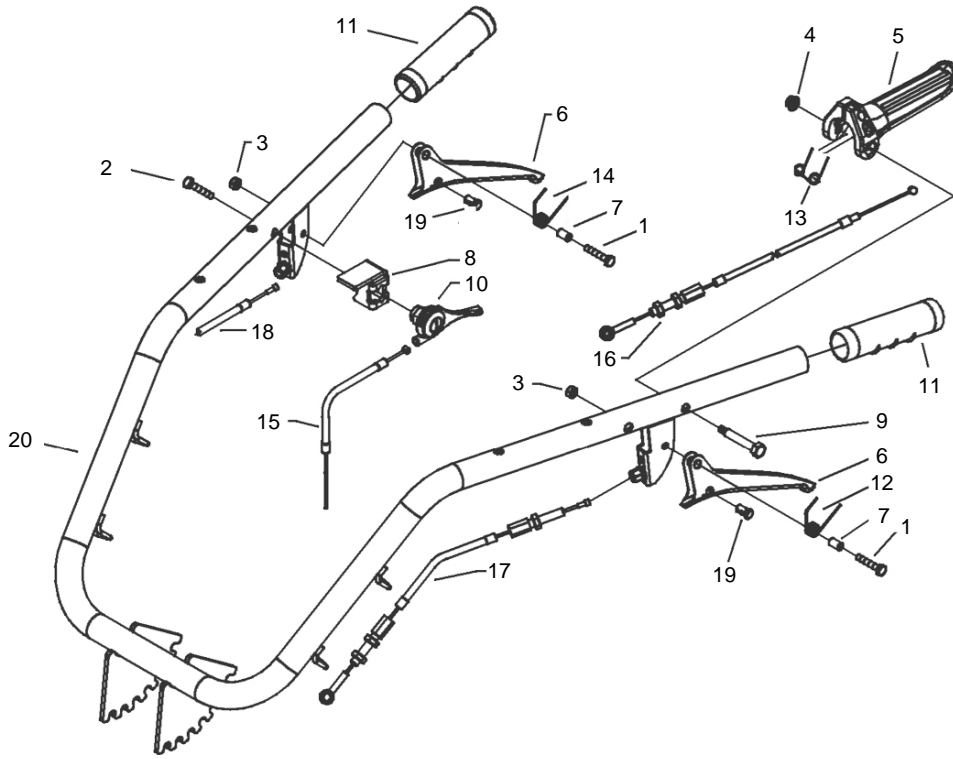
739

Handle Bars

Serial Number Range 918324 - -----

12.00

Revised 08/09/2013



ID	PART NO	DESCRIPTION	ID	PART NO	DESCRIPTION
1	31112089	SCREW M6X25			
2	31121020	SCREW			
3	31241060	LOCKNUT M6			
4	31241065	LOCKNUT M6			
5	55256185	LEVER			
6	56148470N	LEVER			
7	56156603Z	SPACER			
8	56156874N	PANEL			
9	56356184Z	LEVER PIN			
10	58002538	THROTTLE LEVER			
11	58048000	GRIP			
12	58050345	SPRING			
13	58056186Z	SPRING			
14	58056593	SPRING			
15	58056815	CABLE & SHEATH, THROTTLE			
16	58056898	CABLE & SHEATH, OPC			
17	58056899	CABLE & SHEATH, CLUTCH			
18	58057422	CABLE & SHEATH, HANDLEBAR RELEASE			
19	58150313	CABLE CLAMP			
20	59257224	HANDLE BAR			

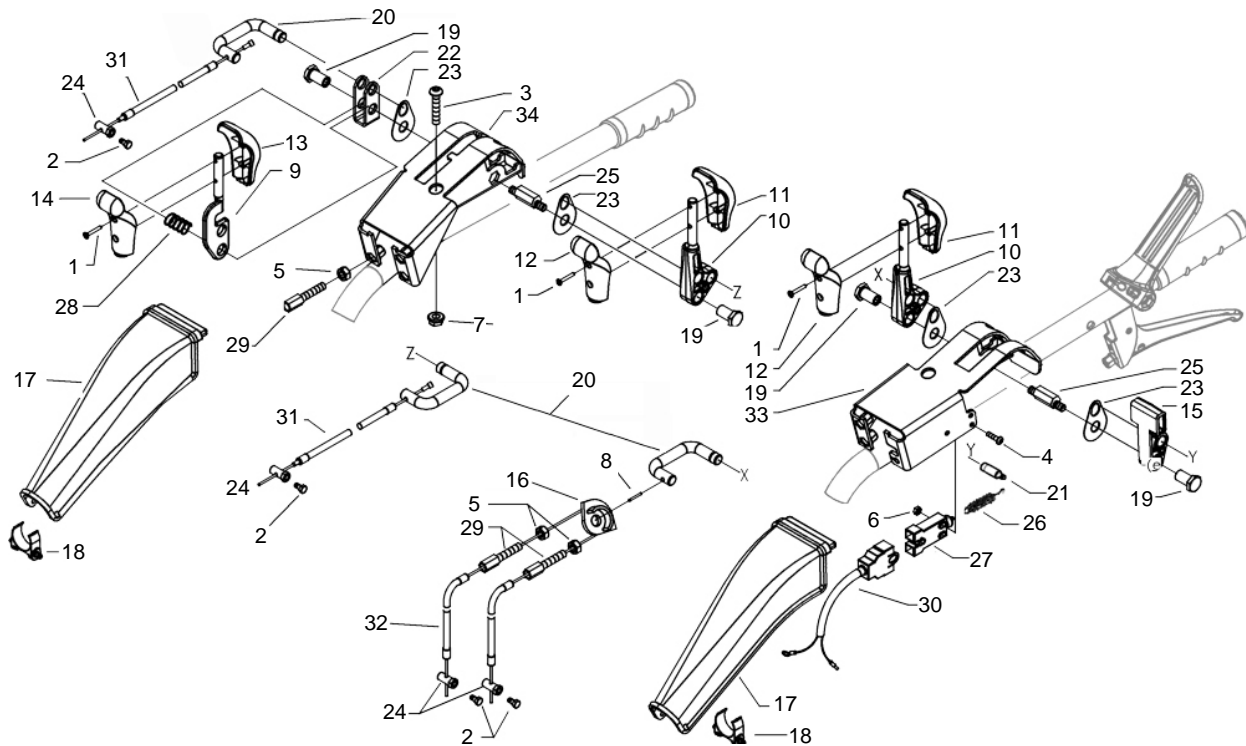
739

Handlebar Controls

Serial Number Range 918324 - -----

13.00

Revised 08/09/2013



ID	PART NO	DESCRIPTION	ID	PART NO	DESCRIPTION
1	31100451	SCREW 5X25	21	56156834Z	INDEXING BOLT
2	31112090	CAPSCREW M6X16	22	56156859Z	FORK
3	31121020	SCREW	23	56356833Z	SMALL PLATE
4	31121024	INDEXING BOLT	24	56356840Z	SCREW, CLAMPING
5	31211080	NUT M8	25	56356858Z	PIN
6	31241042	SELF LOCKNUT M4	26	58047712	SPRING
7	31241084	SELF LOCKNUT M8	27	58048009	SWITCH
8	34213020	ROLL PIN 4X20 SPIROL	28	58049830	SPRING
9	52156810Z	LEVER, FORWARD / REVERSE	29	58056595	ADJUSTING SCREW
10	53156860	LEVER, LOCK DIFFERENTIAL	30	58056837	WIRING, MOTOR STOP
11	55157212	UPPER HANDLE HALF, BLACK	31	58056848	CABLE & SHEATH, DIFFERENTIAL/REVERSE
12	55157213	LOWER HANDLE HALF, BLACK	32	58056849	CABLE & SHEATH, PARKING BREAK
13	55157214	UPPER HANDLE HALF, RED	33	59256180	SUPPORT LH
14	55157215	LOWER HANDLE HALF, RED	34	59256850	SUPPORT RH
15	55256197	LEVER, ON / OFF SWITCH			
16	55256757	PULLEY			
17	55256835	COVER			
18	55256836	CROSS PIECE			
19	56148287	STUD BOLT			
20	56156832Z	U-BOLT			

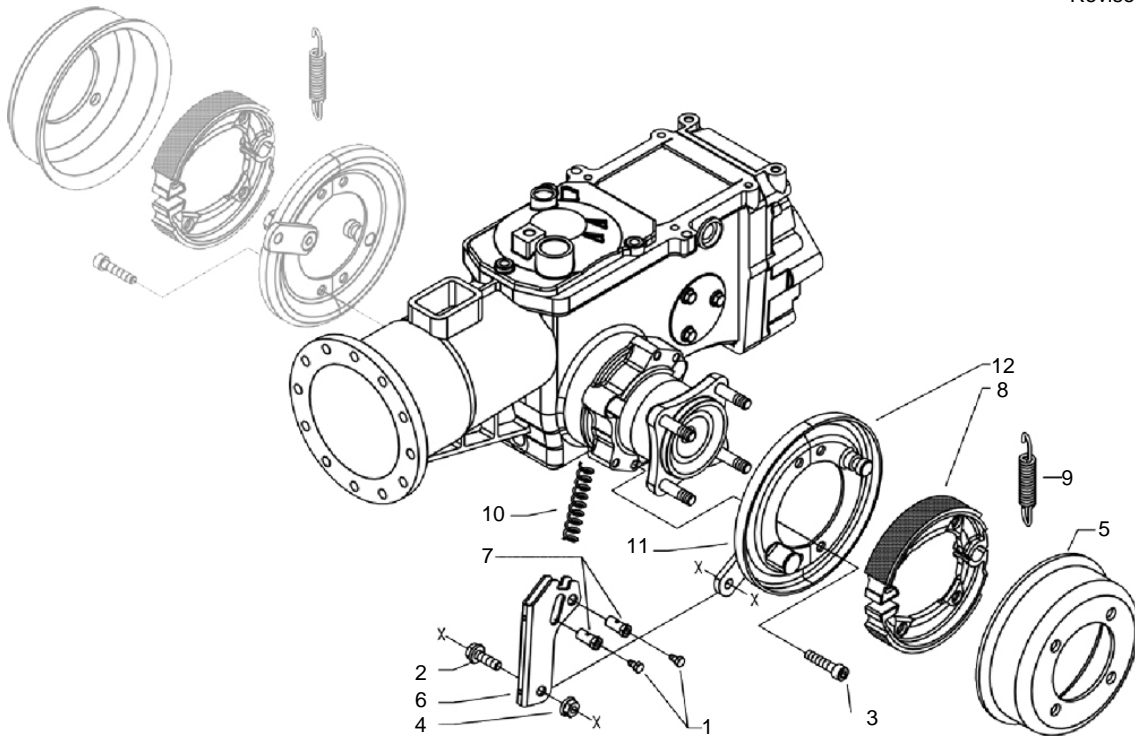
739

Brakes

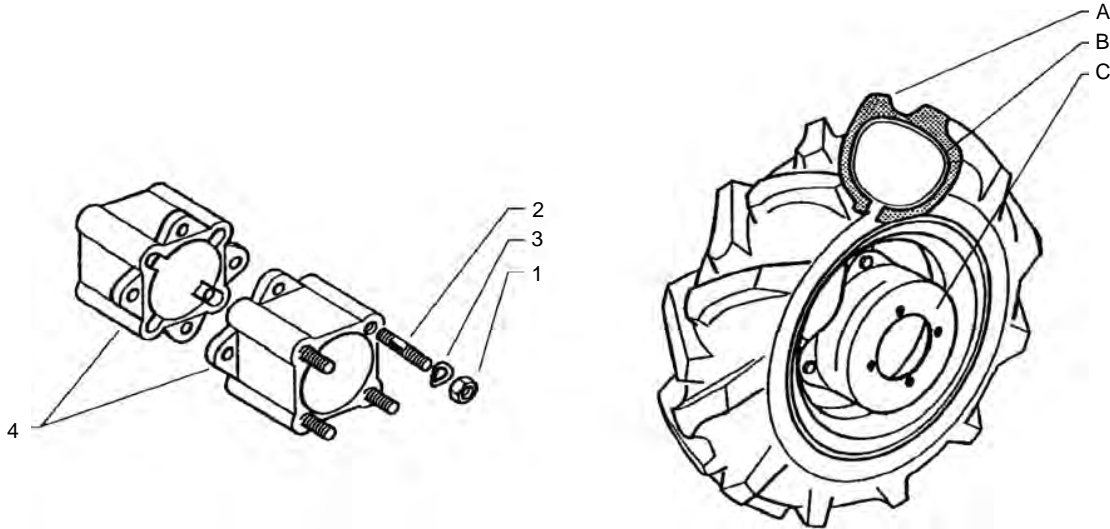
Serial Number Range 918324 - -----

14.00

Revised 08/09/2013



ID	PART NO	DESCRIPTION	ID	PART NO	DESCRIPTION
1	31112090	CAPSCREW M6X16			
2	31112166	SCREW TE M8X25			
3	31152085	CAPSCREW M8X25			
4	31241084	LOCKNUT M8 FLANGED			
5	56148218N	BRAKE DRUM			
6	56156831Z	FORK			
7	56356840	SCREW, CLAMPING			
8	58048214	SHOE			
9	58048215	SPRING			
10	58056918	SPRING, STEERING COLUMN			
11	59048200N	LEVER, SEMIDISC			
12	59048208N	PIN HALF DISC COMPLETE			



ID	PART NO	DESCRIPTION	ID	PART NO	DESCRIPTION
A	39113502	TIRE 3.50 - 8"	1	31211100	NUT, M10
	39114008	TIRE 4.00 - 8"	2	31312102	STUD M10X40X24X12
	39114010	TIRE 4.00 - 10"	3	31423105	WASHER, M10.5
	39115010	TIRE 5.00 - 10"	4	92243685	WHEEL EXTENSION PAIR (SOLD AS A SET)
	39115012	TIRE 5.00 - 12"			
	39116018	TIRE 6.50 - 12"			
B	39413502	TUBE 3.50 - 8"			
	39414008	TUBE 4.00 - 8"			
	39415010	TUBE 4.00 - 10" (see note)			
	39415010	TUBE 5.00 - 10" (see note)			
	39415012	TUBE 5.00 - 12"			
	39416018	TUBE 6.50 - 12"			
C	58043250	RIM 3.50 - 8" & 4.00 - 8"			
	58048330	RIM 4.00 - 10" & 5.00 - 10"			
	58044804	RIM 5.00 - 12" & 6.50 - 12"			
D	92257775	PAIR WHEELS COMPLETE 15 X 3.50 - 8"			
	92243680	PAIR WHEELS COMPLETE 16 X 4.00 - 8"			
	92248332	PAIR WHEELS COMPLETE 18 X 4.00 - 10"			
	92248334	PAIR WHEELS COMPLETE 19 X 5.00 - 10"			
	92244806	PAIR WHEELS COMPLETE 22 X 6.50 - 12"			
	92244809	PAIR WHEELS COMPLETE 22 X 5.00 - 12"			

note: tube is interchangeable between the two tire sizes

739

Decals
Identification

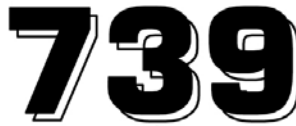
Serial Number Range
918324 - -----

16.00

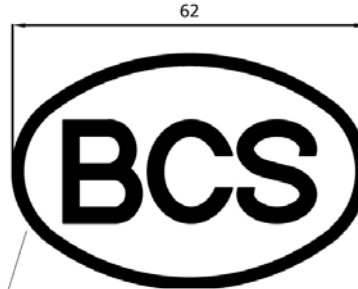
Revised 08/09/2013



2

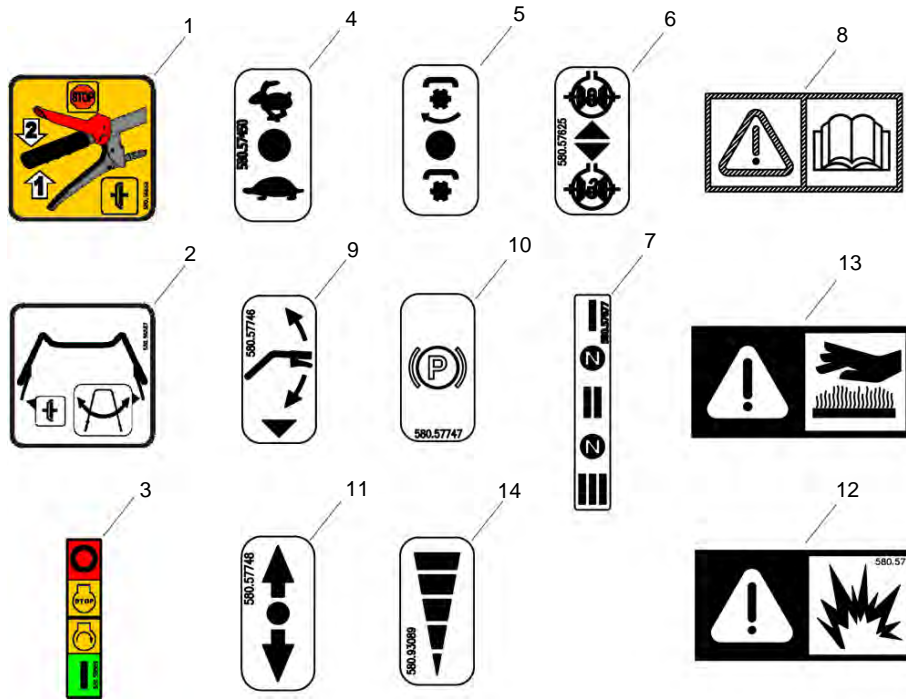


3



1

ID	PART NO	DESCRIPTION	ID	PART NO	DESCRIPTION
1	53048656	DECAL, BCS LOGO 62MM			
2	53057666	DECAL, POWERSAFE			
3	58058486	DECAL, 739			



ID	PART NO	DESCRIPTION	ID	PART NO	DESCRIPTION
1	58056866	DECAL, CLUTCH/OPERATOR PRESENCE LEVER			
2	58056867	DECAL, HANDLE BAR SWIVEL			
3	58056869	DECAL, KILL SWITCH			
4	58057450	DECAL, THROTTLE			
5	58057451	DECAL, PTO ENGAGEMENT			
6	58057625	DECAL, DIFFERENTIAL LOCK			
7	58057677	DECAL, GEAR SELECT			
8	58057724	DECAL, READ MANUAL			
9	58057746	DECAL, HANDLE BAR UP/DOWN			
10	58057747	DECAL, PARKING BRAKE			
11	58057748	DECAL, FORWARD/REVERSE			
12	58057767	DECAL, FUEL SPARK DANGER			
13	58057768	DECAL, CAUTION HOT			
14	58093089	DECAL, SPEED CONTROL			